

McGill™ Ground Fault Circuit Interrupters

NEC/CEC:
Listed for Ordinary Locations

Applications

- Protects people and equipment by interrupting electrical power when loads have a potentially lethal ground current in excess of 6 milliamps.
- The portable construction enables use of these devices in a variety of applications, such as power tools or hand lamps.
- Indoor/Outdoor usage.

Features

- Manual reset is required after trip (fault) condition or power outage occurs to prevent unmonitored equipment start-up.
- 15 and 20 Amp, 120 and 240 Volt, 60 Hz models available.
- 4-6 milliamp trip level.
- Provides protection in 3 wire circuits.
- Mechanical trip indicator to show power "ON".
- Rugged construction for long lasting durability.
- Grounded neutral — 4 ohms typical.
- Open neutral protection.
- Radio frequency interference suppression to protect against nuisance tripping.

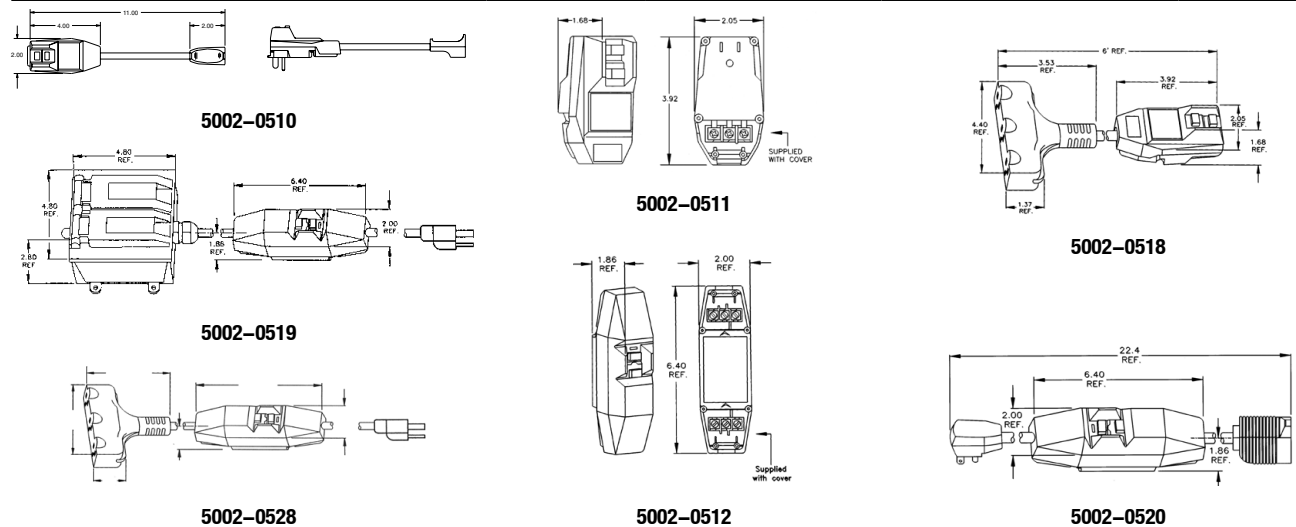
NEC/CEC Certifications and Compliances

- UL Listed: E165783
- CSA Approved



	NEMA Configuration Number	Rating	Catalog Number
GFCI cord set, 274 mm (11") long	5-15P/R	15 Amp, 120 Vac	5002-0510
User attachable GFCI portable power plug	5-15P	15 Amp, 120 Vac	5002-0511
User attachable in-line GFCI, dual voltage	—	15 - 20 Amp, 120 - 240 Vac	5002-0512
GFCI cord set, 1.83 m (6') long with tri-tap receptacle	5-15P/R	15 Amp, 120 Vac	5002-0518
GFCI protected quad box ①	5-20P/R	20 Amp, 120Vac	5002-0519
In-line GFCI with plug and receptacle attached	5-15P/R	15 Amp, 120 Vac	5002-0520
In-Line GFCI with plug and tri-tap molded power block attached	5-15P/R	15 Amp, 120 Vac	5002-0528

Dimensions in Inches/Millimeters



① 2 of the 4 receptacles are T-slotted to allow both 15 and 20 amp tools, with either NEMA 5-15 or 5-20 plugs.

Appleton® OZGEDNEY

REELS AND SWITCHES: ORDINARY LOCATION POWERCORDS